

Metal-free Prosthetic Solution

# AXA Abutment

- Full mouth prosthetics with no extra components
- Advanced Prosthetics Solution makes the impression easier by reducing the chair time
- Choose the best fit from the diverse prosthetic options
- Support various restorative techniques, including Multi case and Cementation



**01**  
**AXA, Does it All**

**Metal-free**  
A diverse selection of Angled abutments reduces the chair time by enabling direct connection to crowns and enhances crown fabrication convenience

**02**  
**AXA, So Strong**

	Multi-unit Abutment	AXA Abutment
Post Height	2.2mm	4mm
Complete Screw	1.5 Thread	3.5 Thread
Screw Strength Enhancement	M1.4	M1.6

**Optimal design for crown stress distribution (prevent chipping)**  
Optimal design for fracture prevention enables to check stress distribution from FEA

※FEA for Stress distribution

**03**  
**AXA, So Easy**

**Precise and easy fabrication of prosthetics**  
Compared with the existing Scan Abutment, the prosthetic configuration rate has quadrupled in Multi Case

**Truly Cement less**  
Directly connect the crown and the screw without intraoral and out-oral cementation

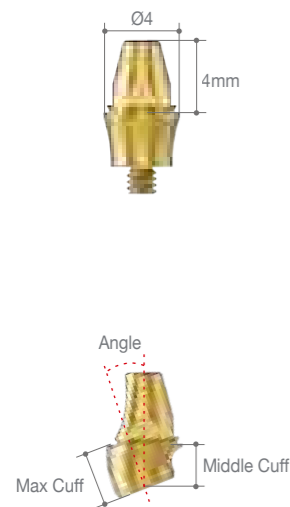
**Connect AXA Click-On groove with Temporary Crown connection**

**Click on connection makes everything simple**  
Achieve easier attachment and detachment of Temporary Crown with Click on

**Abutment Screw per Cuff types**

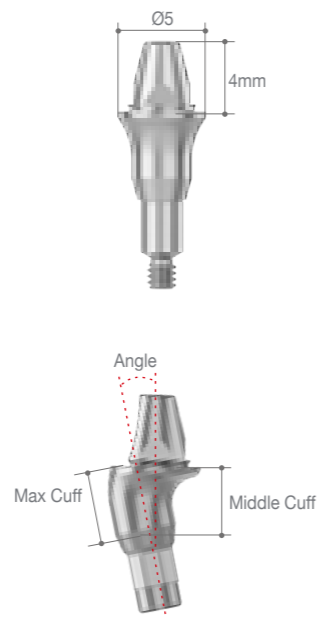
**Enhanced accessibility for the Hand Driver**  
Minimized unnecessary screw hole: Offer a Screw that is dedicated to each cuff

**ARi**<sup>®</sup>  
by MEGA<sup>GEN</sup>

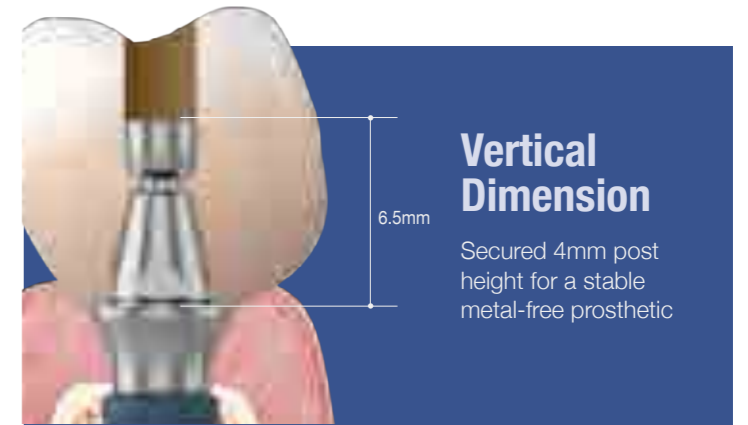
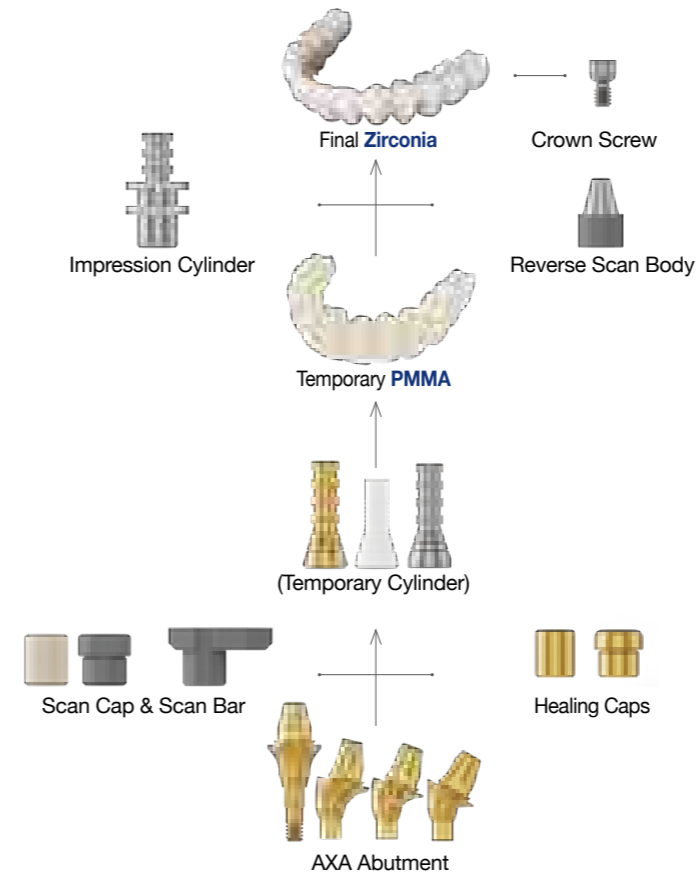


Angle	Cuff	
	Max Cuff	Middle Cuff
0°	2	
	3	
	4	
	5	
12°	3	2.5
	4	3.5
	5	4.5
20°	3	2.5
	4	3.5
	5	4.5
30°	3	2
	4	3
	5	4

**BLUEDIAMOND** IMPLANT



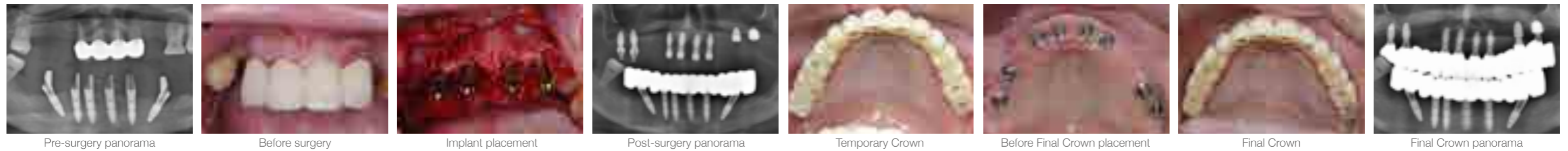
Angle	Cuff	
	Max Cuff	Middle Cuff
0°	2	
	3	
	4	
	5	
12°	3	2.5
	4	3.5
	5	4.5
20°	3	2.5
	4	3.5
	5	4.5
30°	3	2
	4	3
	5	4



**Clinical Case 1. Mandibular Full Case**



**Clinical Case 2. Maxilla Full Case**



**Clinical Case 3. ARi Bridge Case**

